

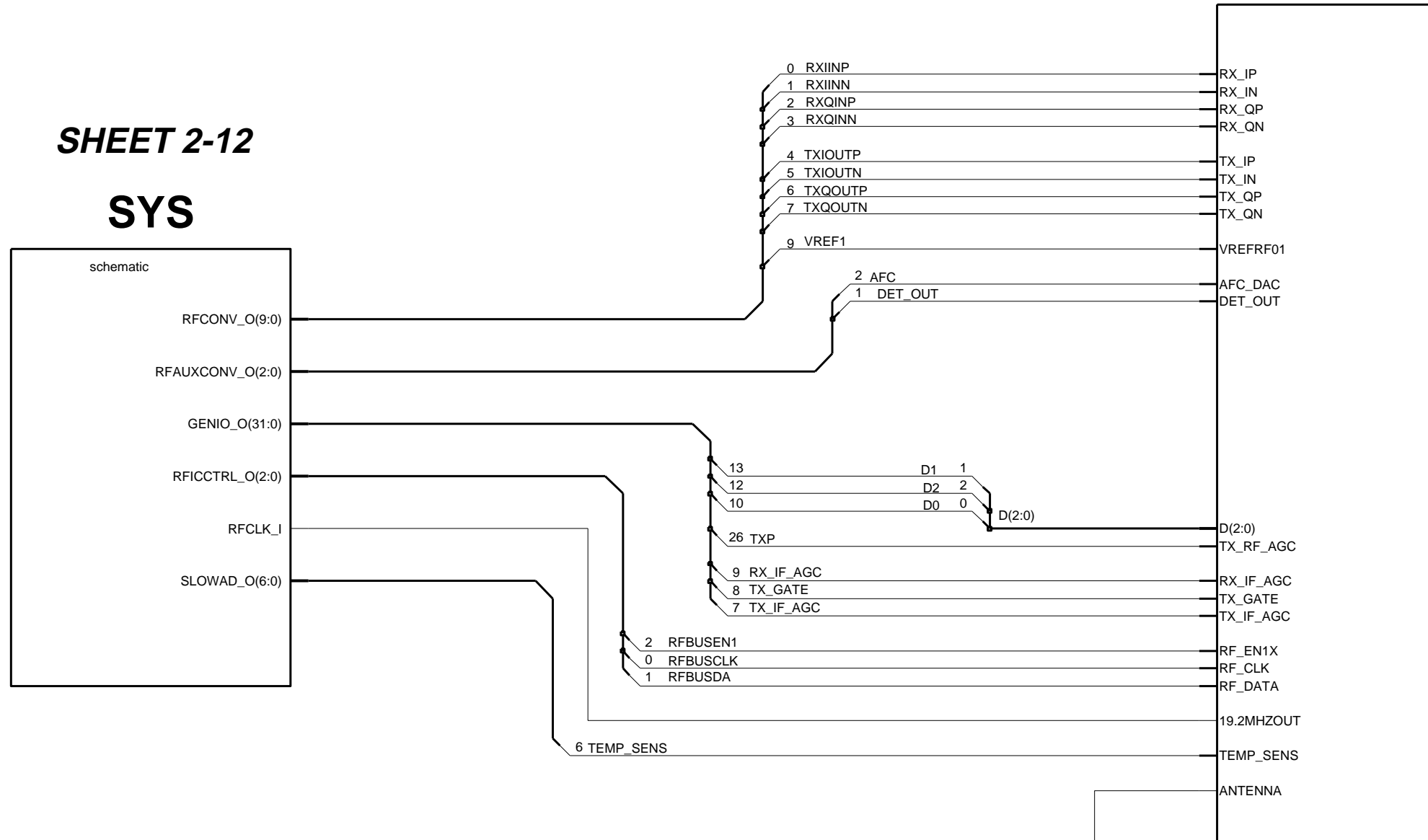
Top-Level Diagram

**SHEET 13-18**

**RF\_800**

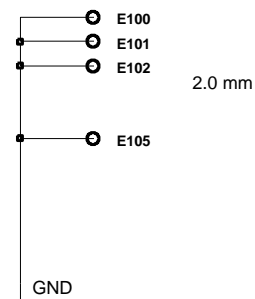
**SHEET 2-12**

**SYS**

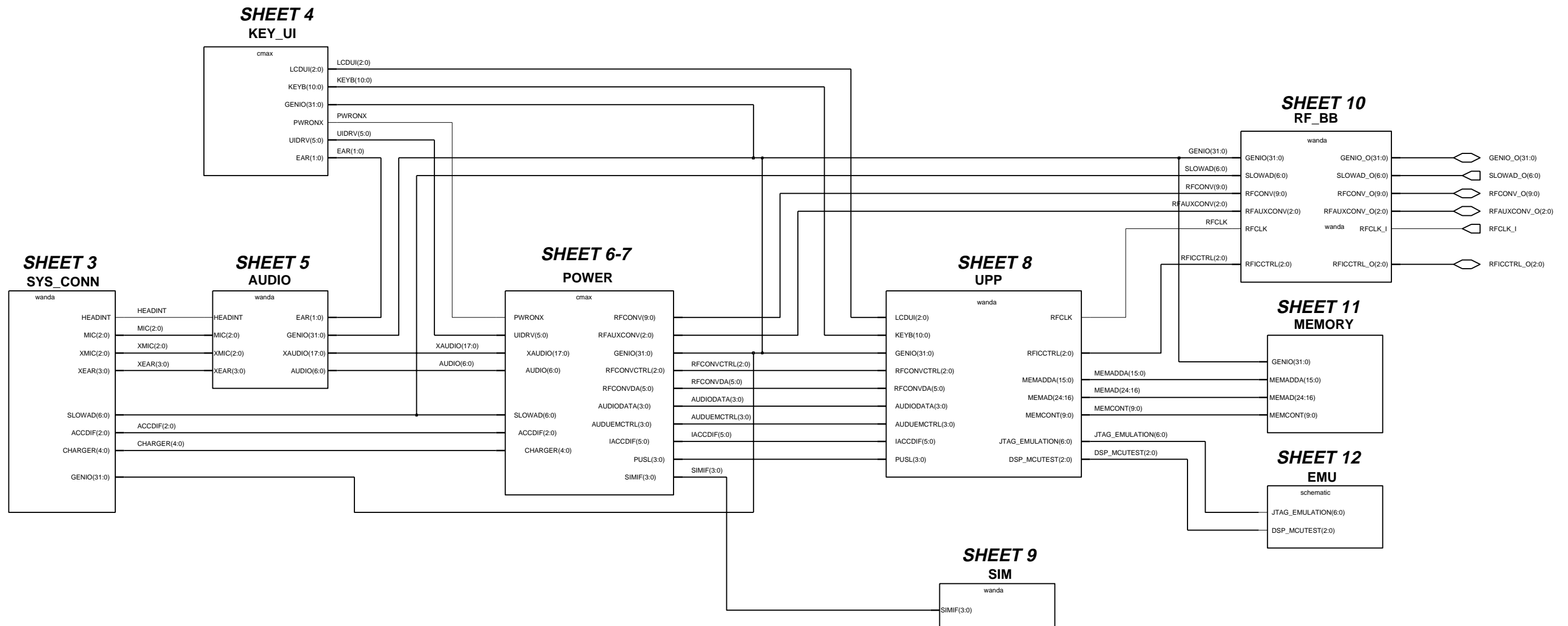


ANTENNA PAD

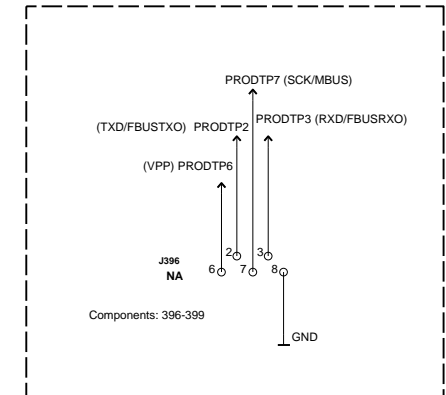
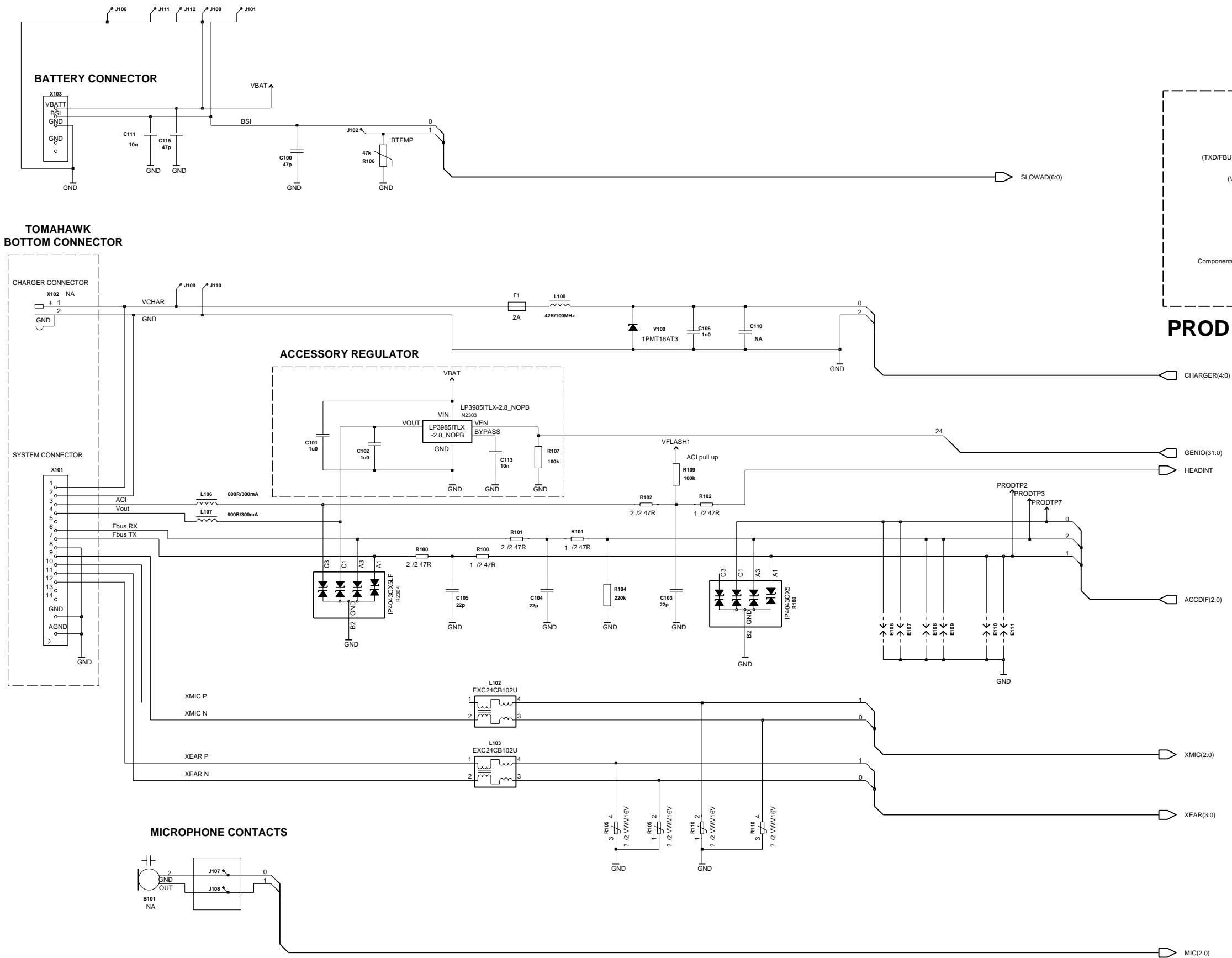
J615  
NA



BB Top Level

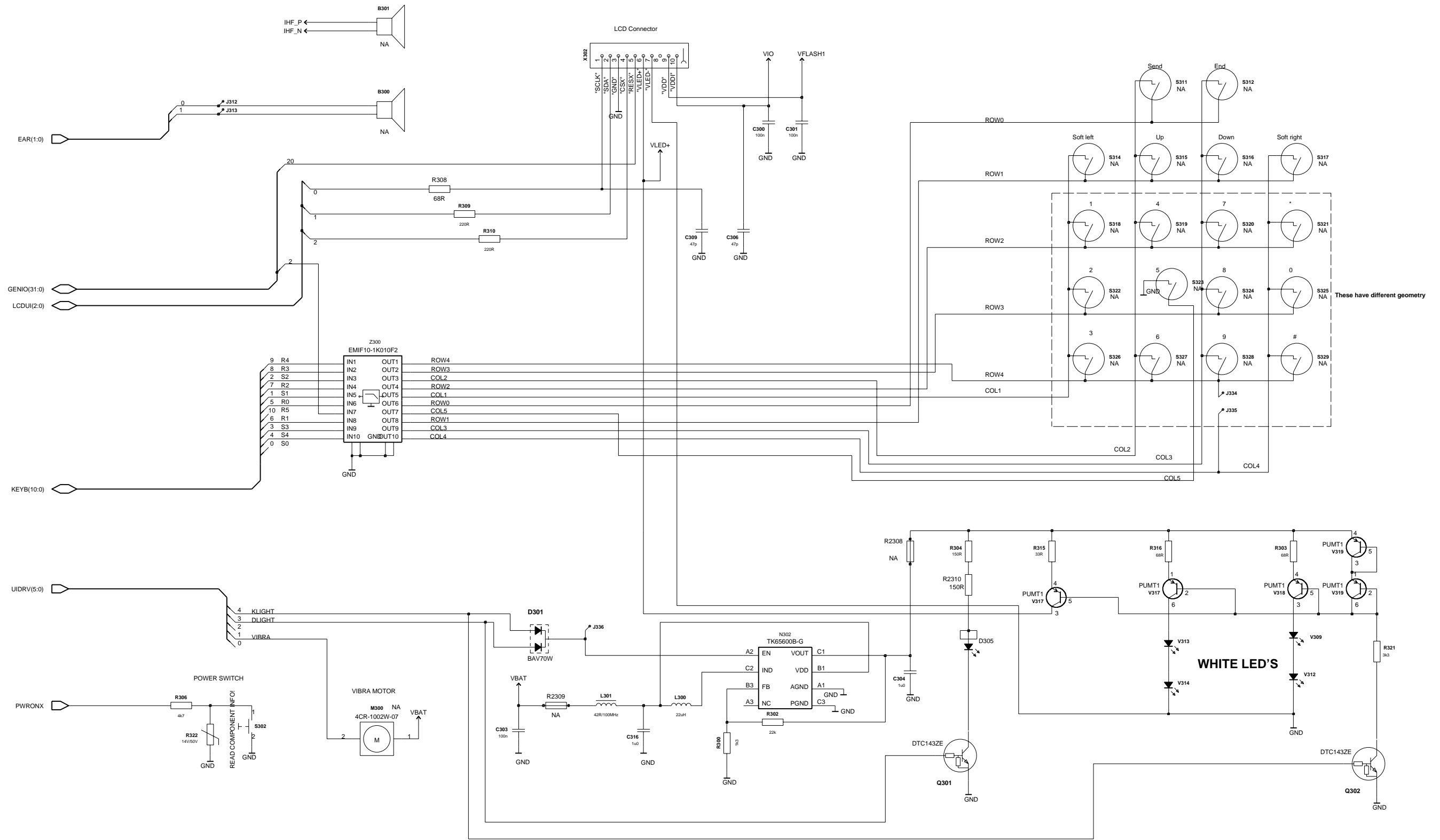


System Connector



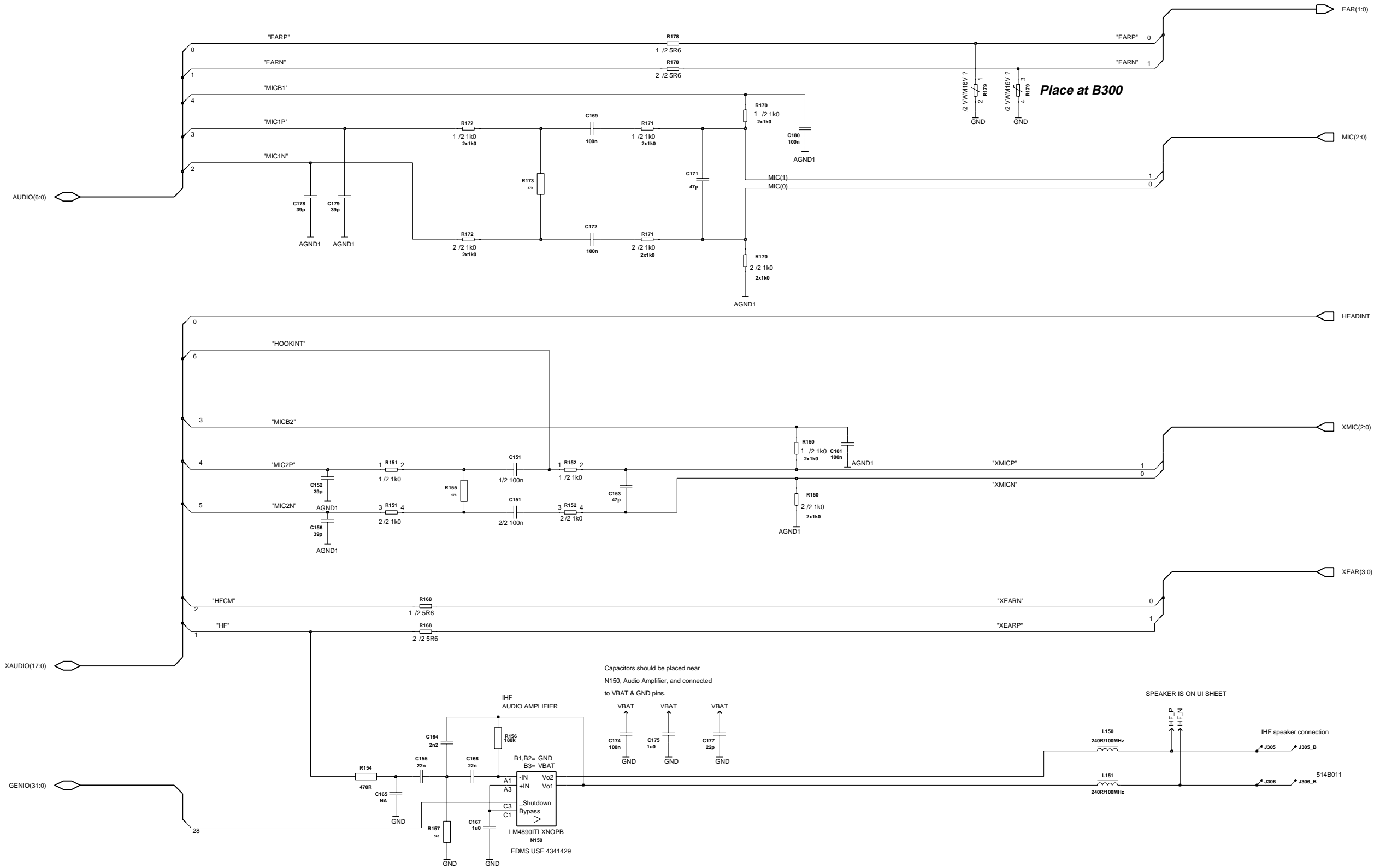
PROD TEST PATTERN

Key UI



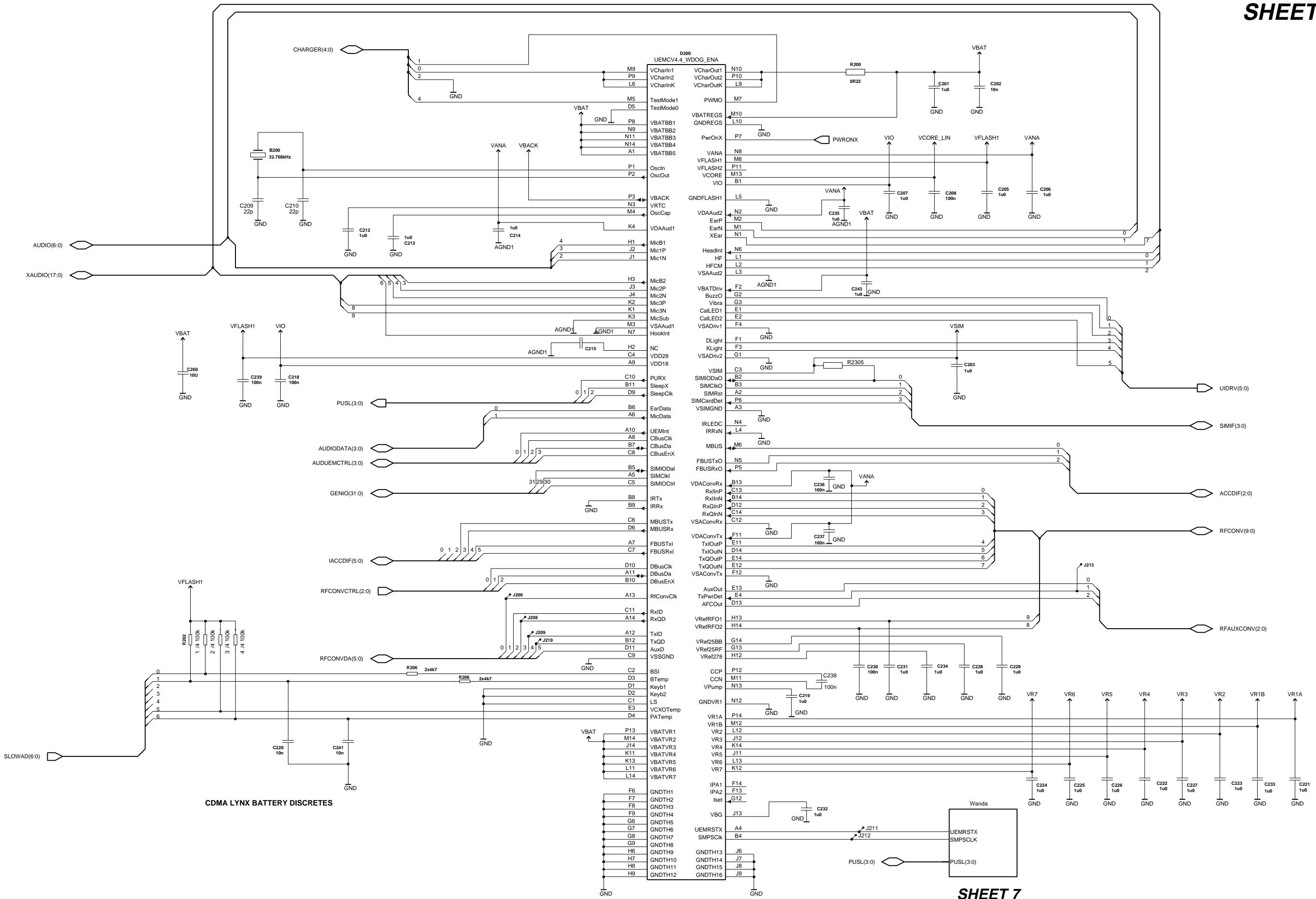
These have different geometry

Audio



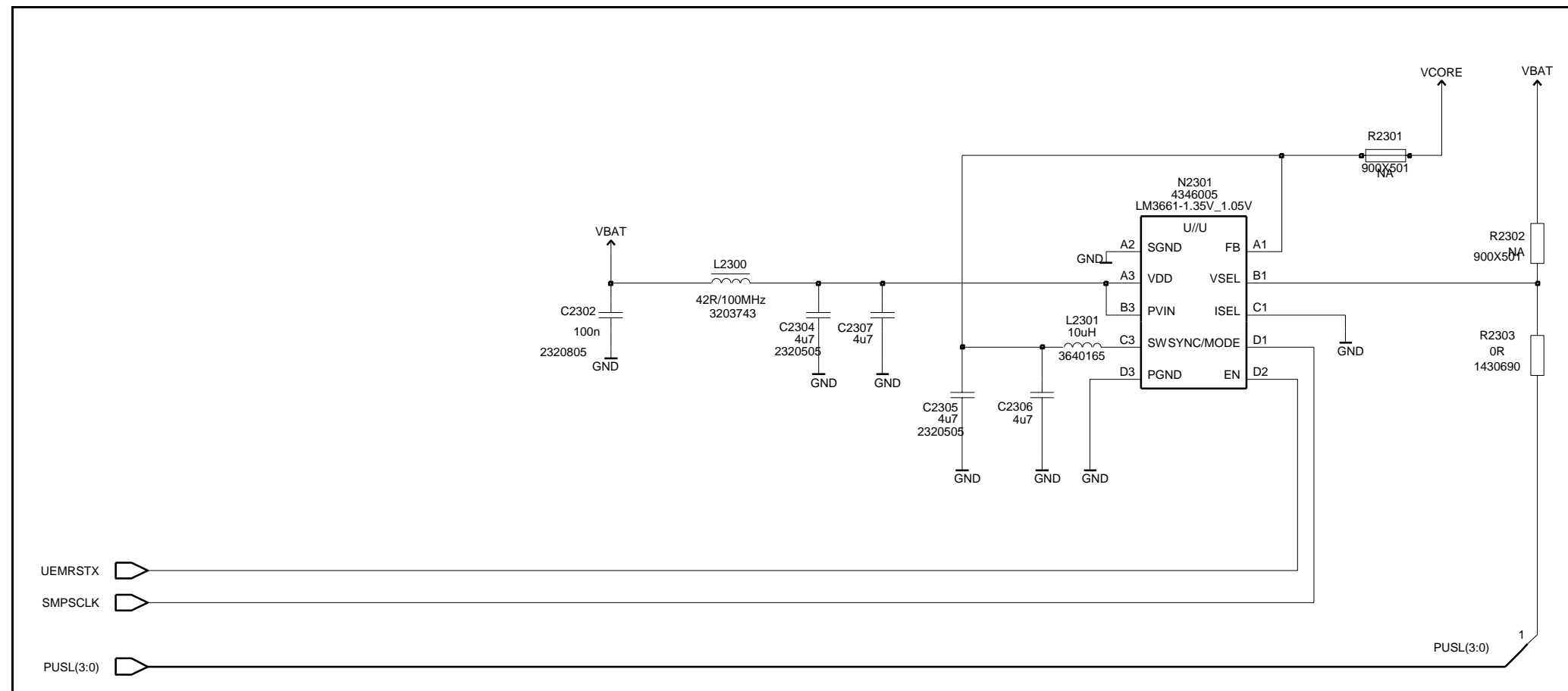
Power

SHEET 1

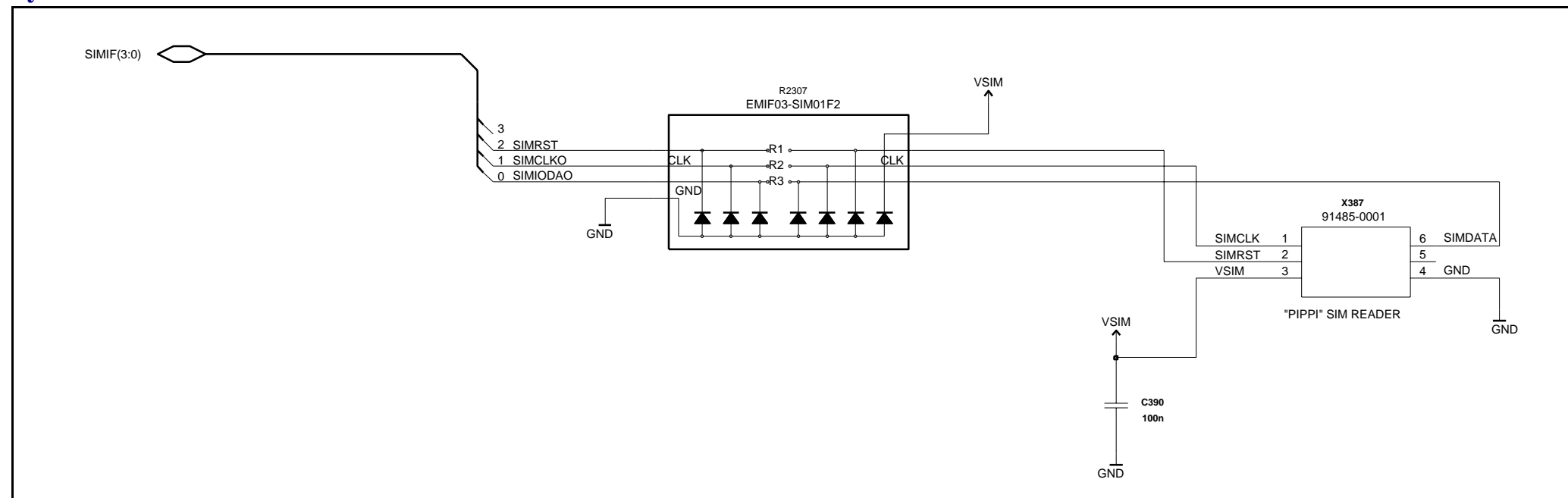


SHEET 7

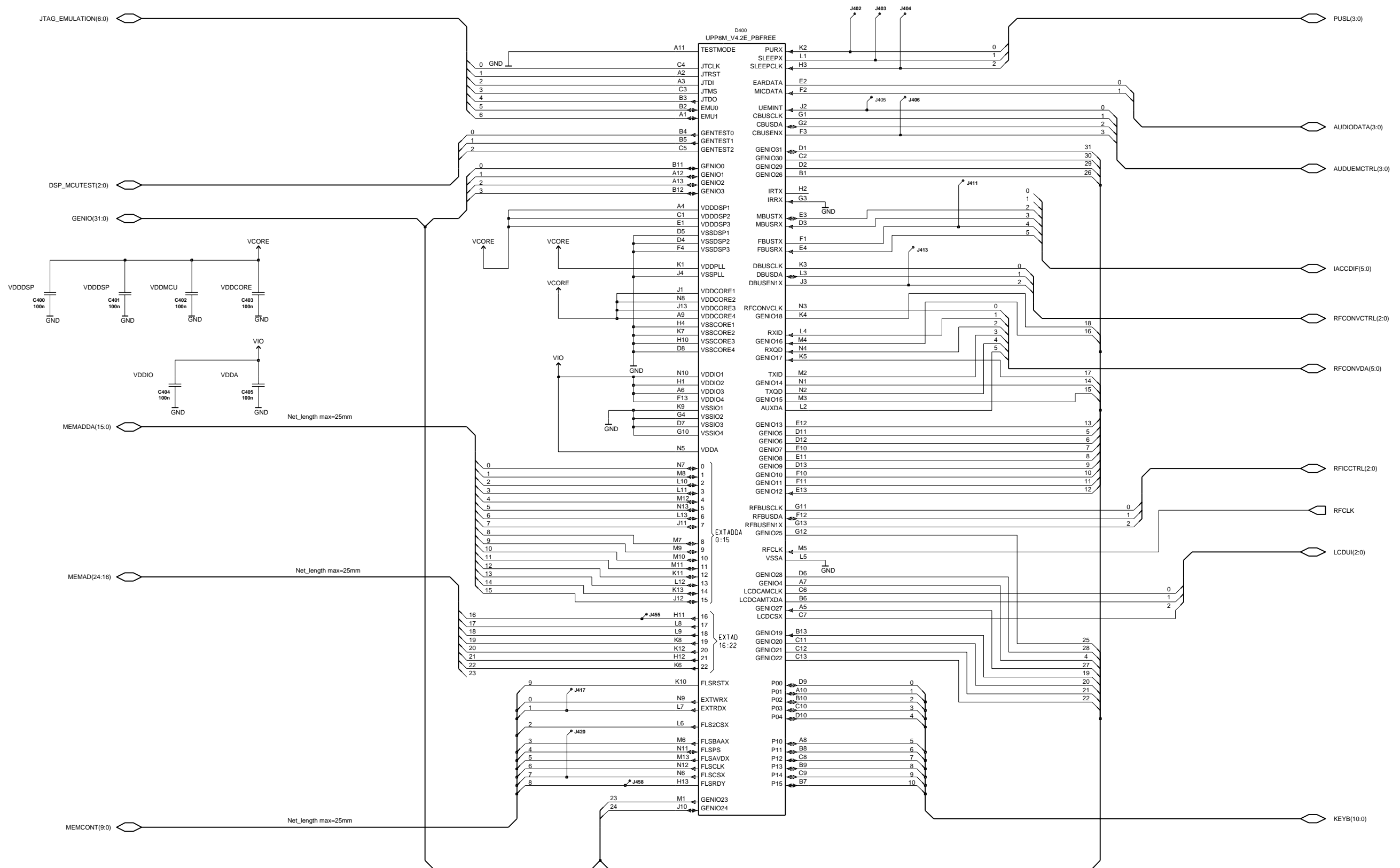
DC/DC Converter



System Connector

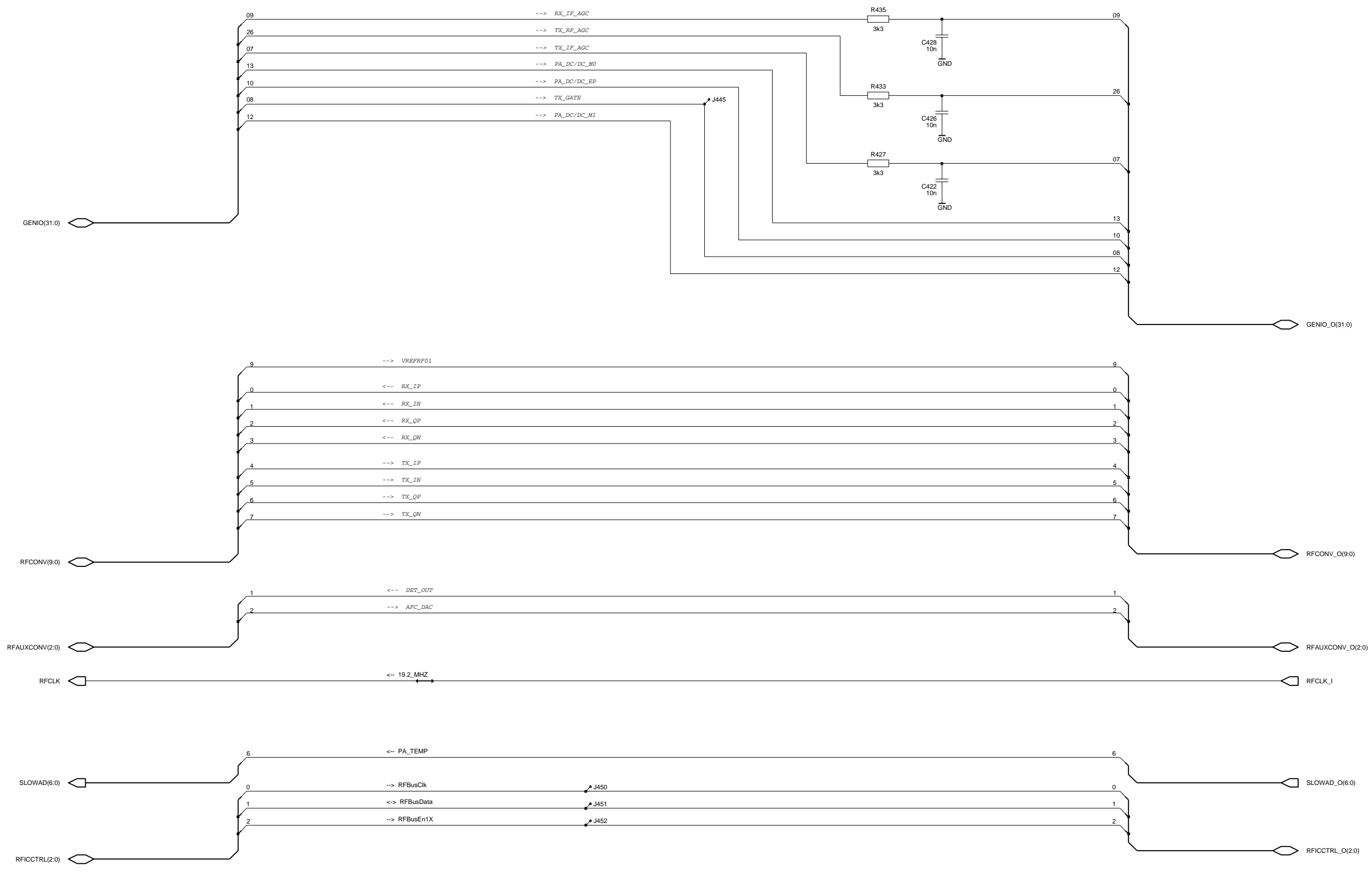


UPP

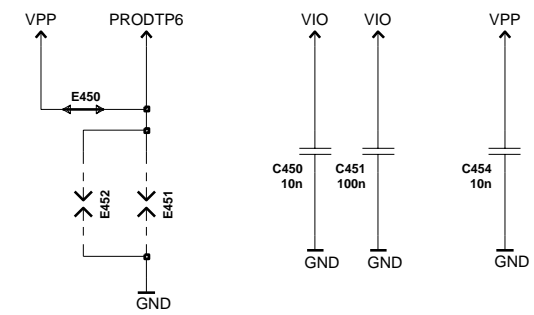
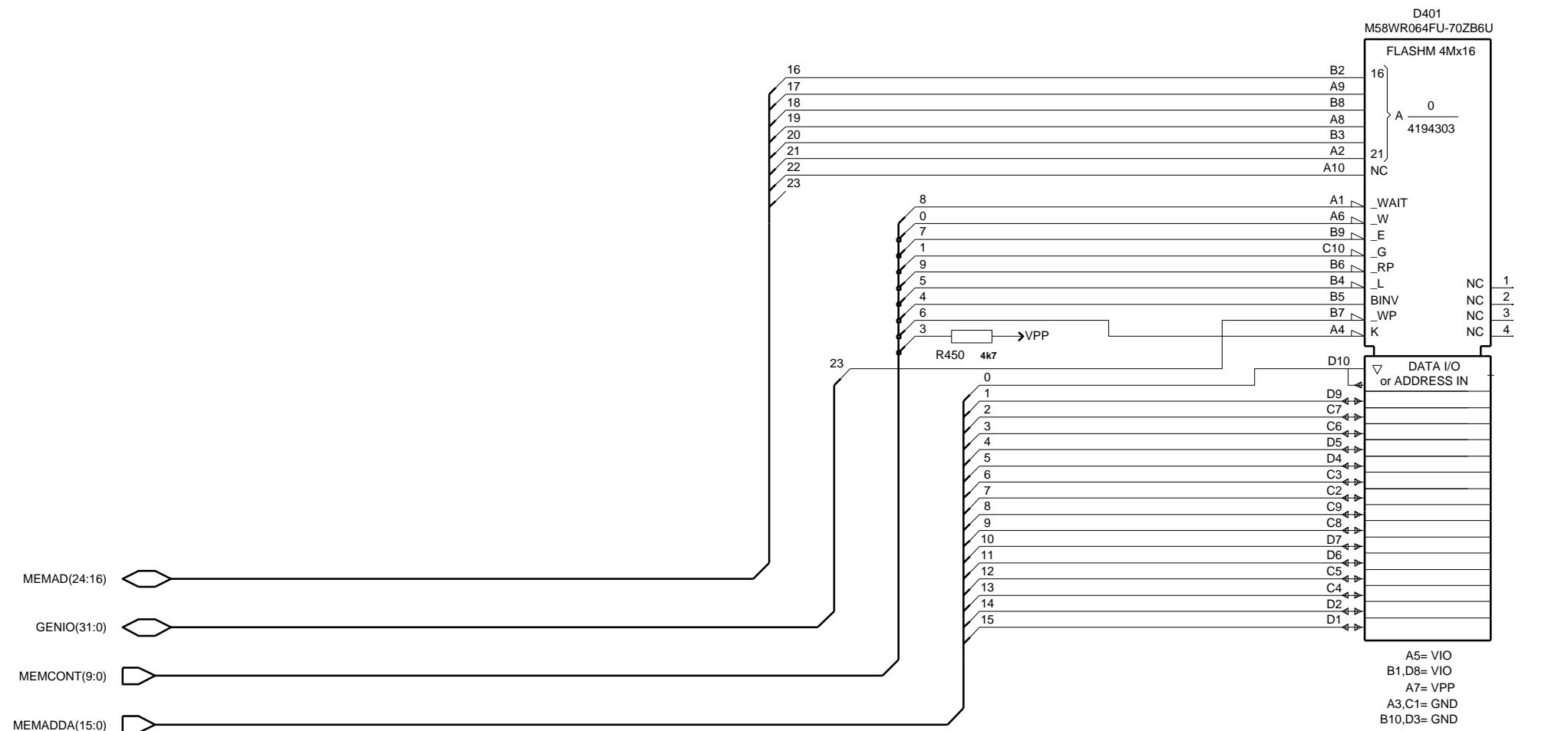


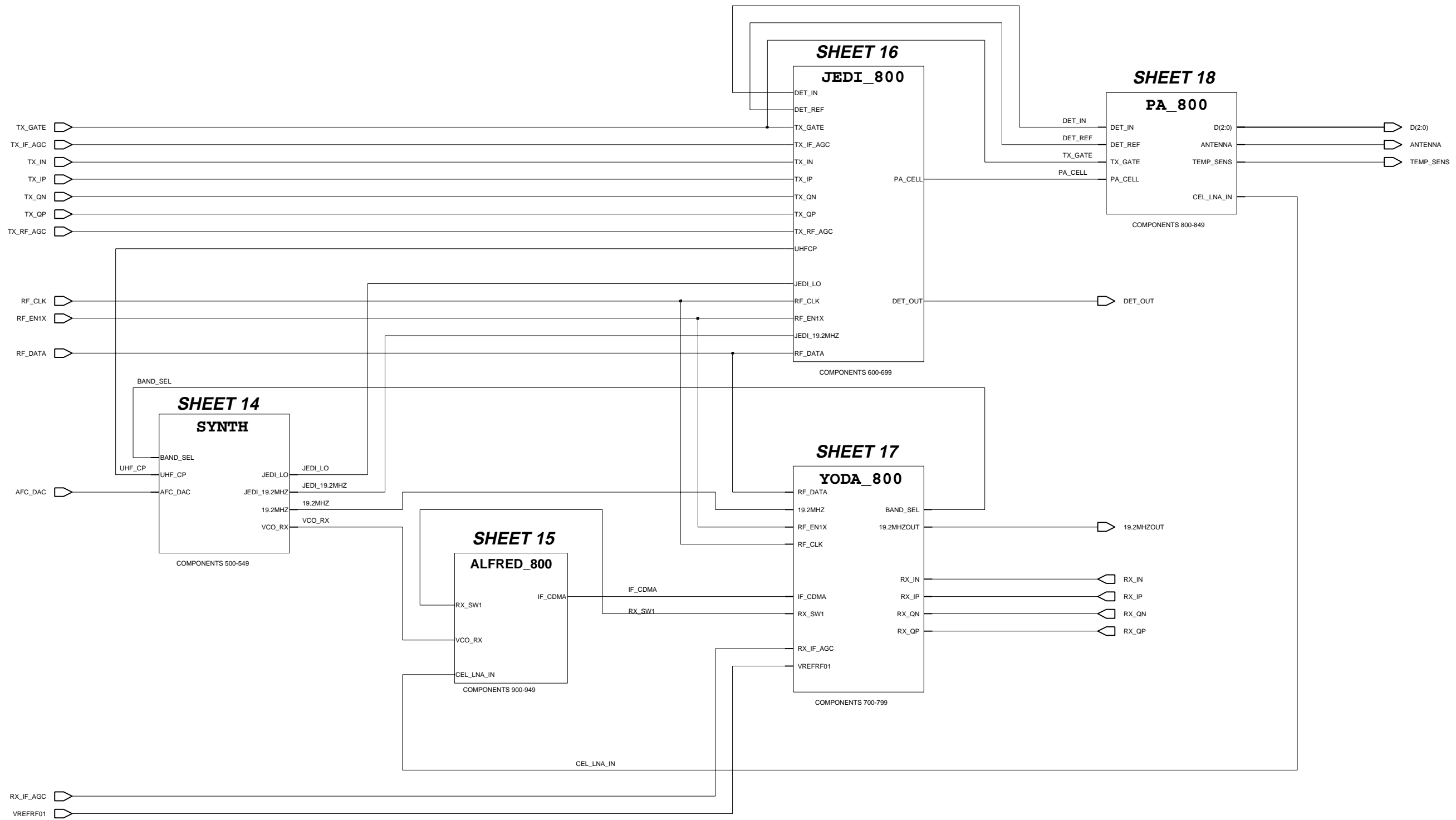


RF/BB Interface

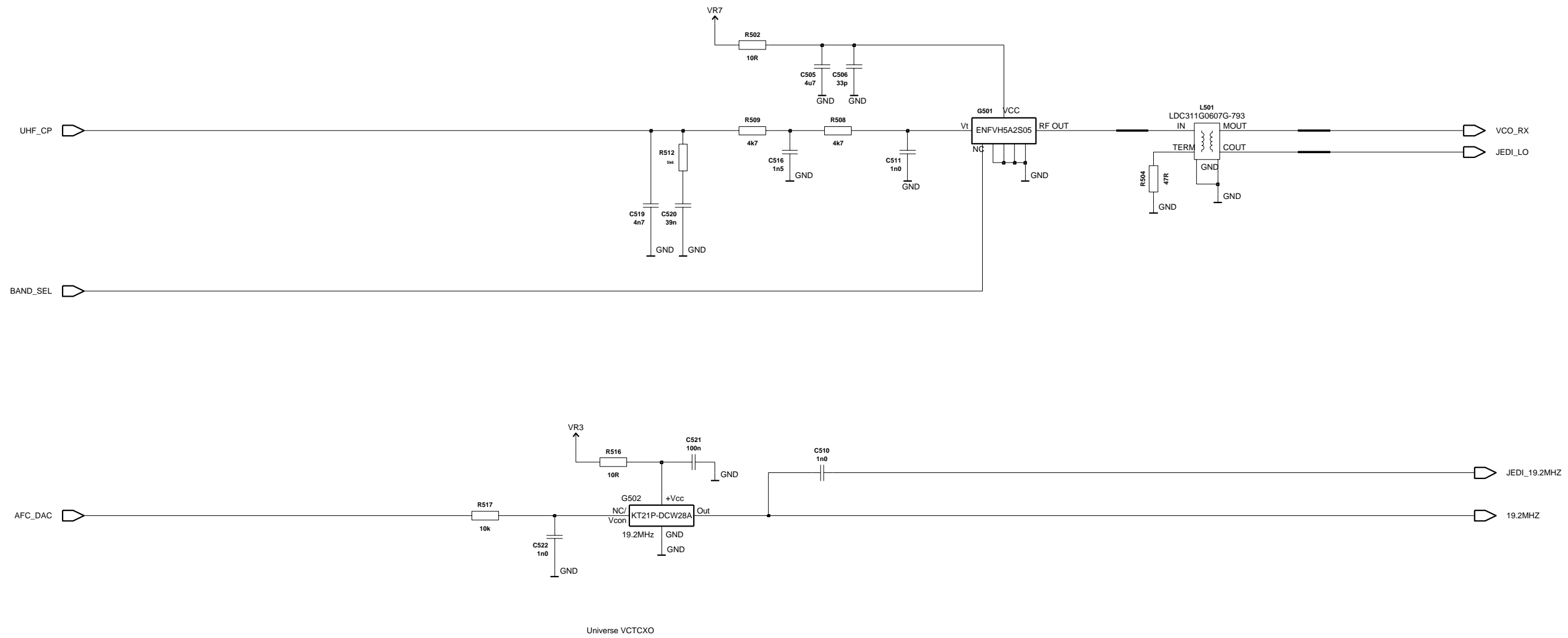


Memory

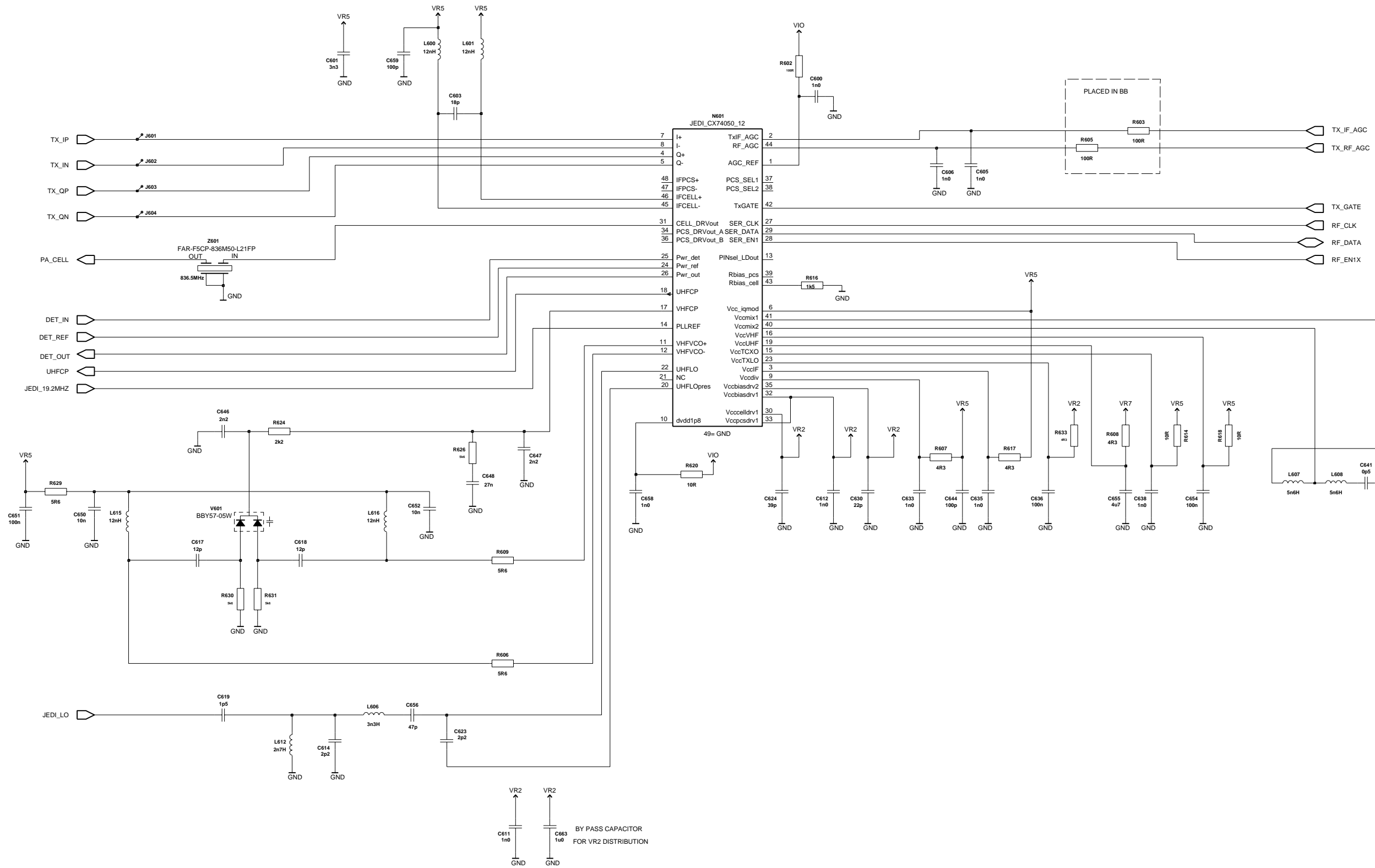




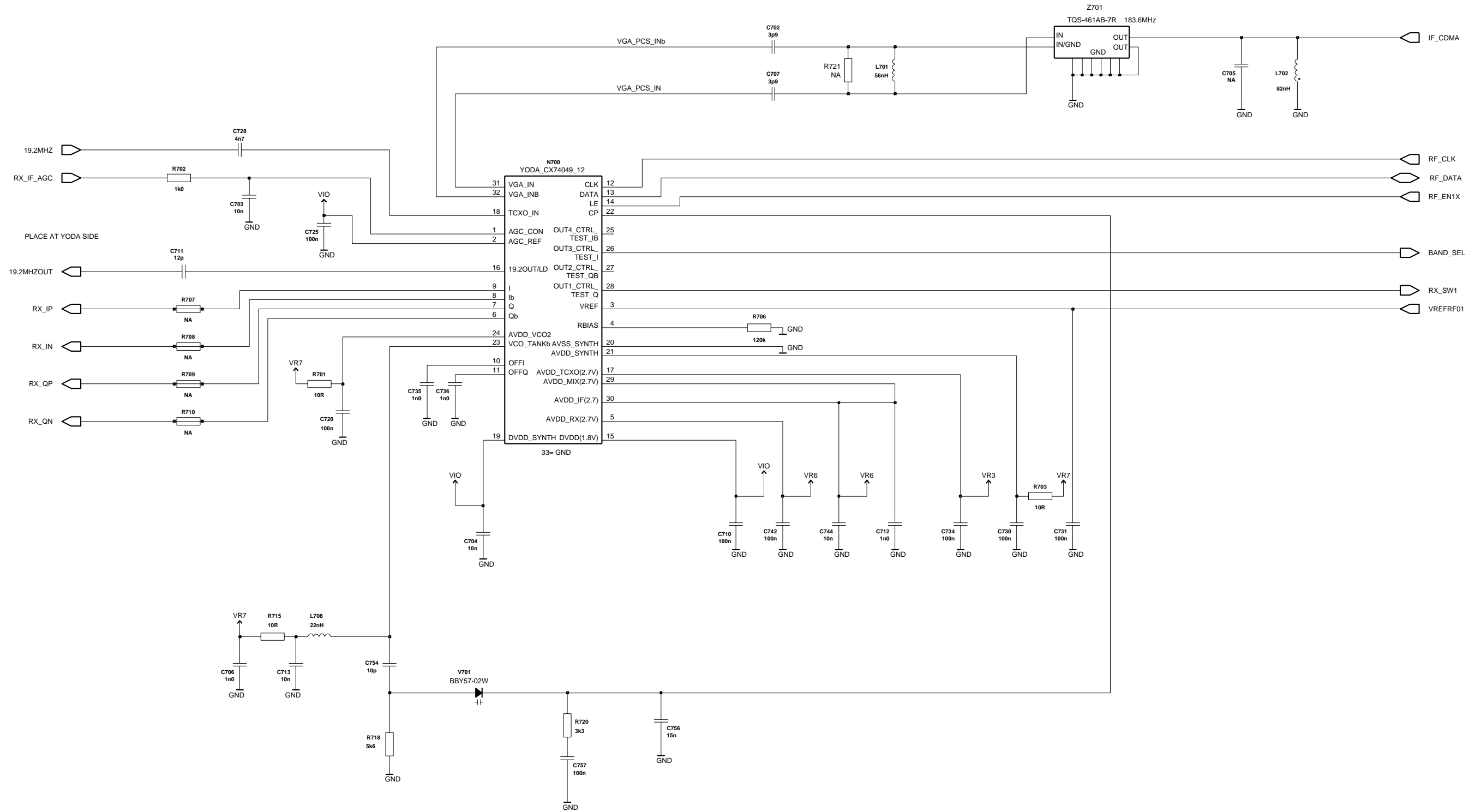
Synthesizer



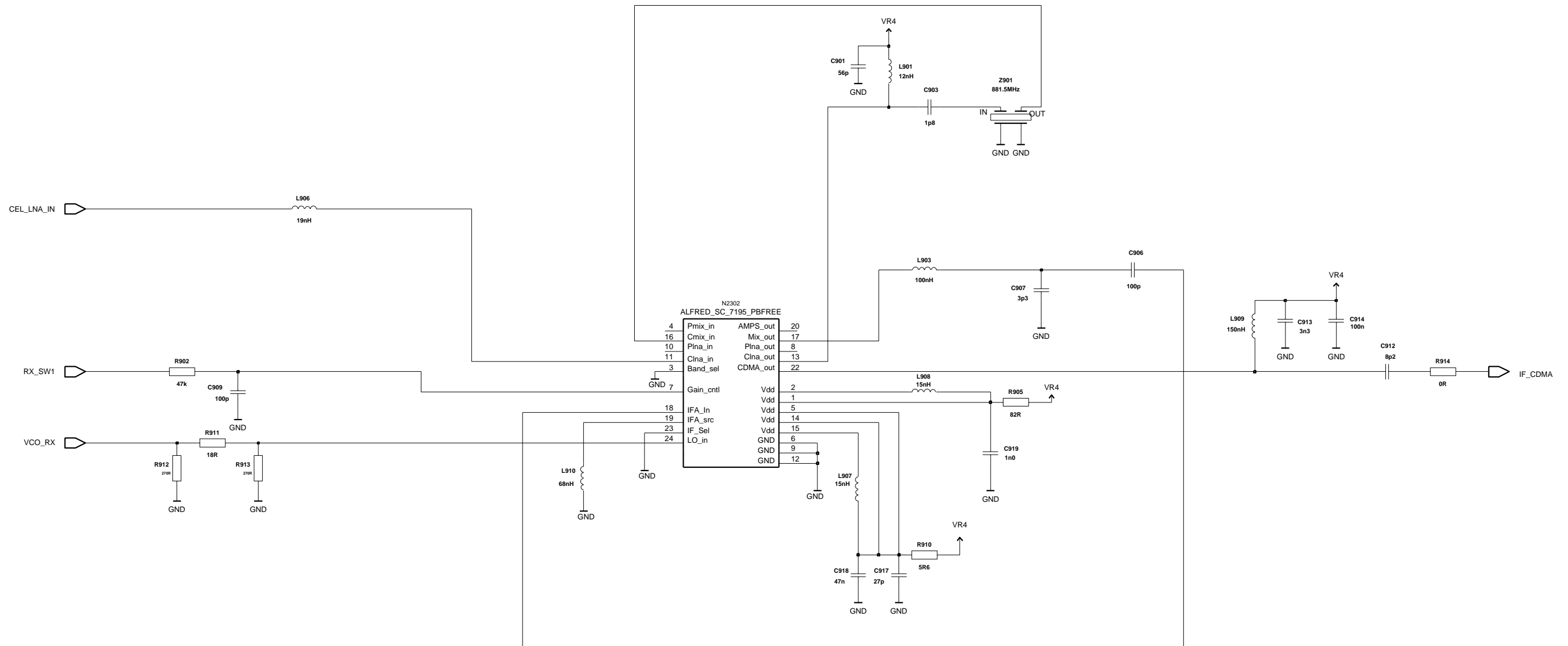
N601



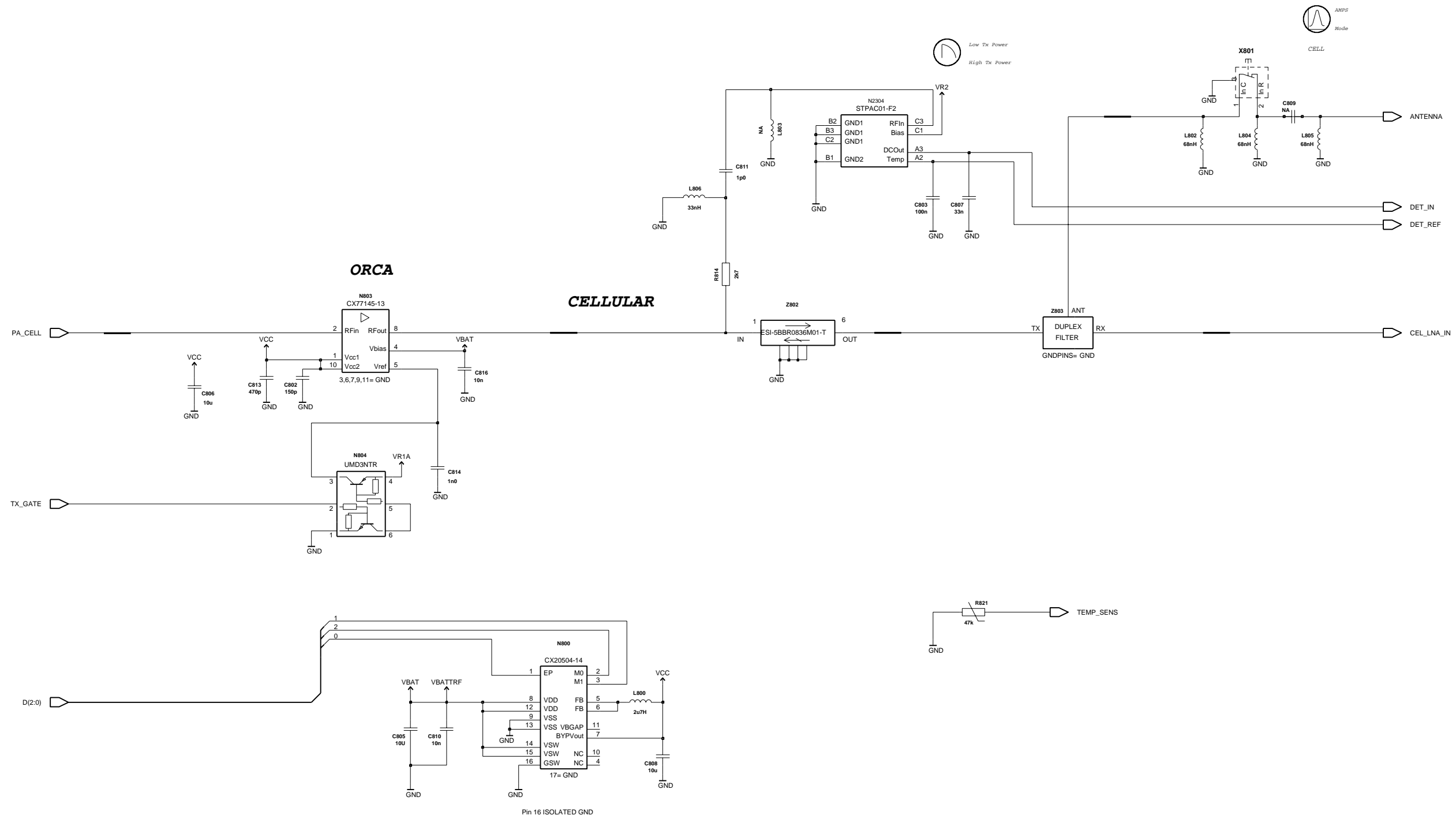
N700



N2302



PA





Component Layout — Top

